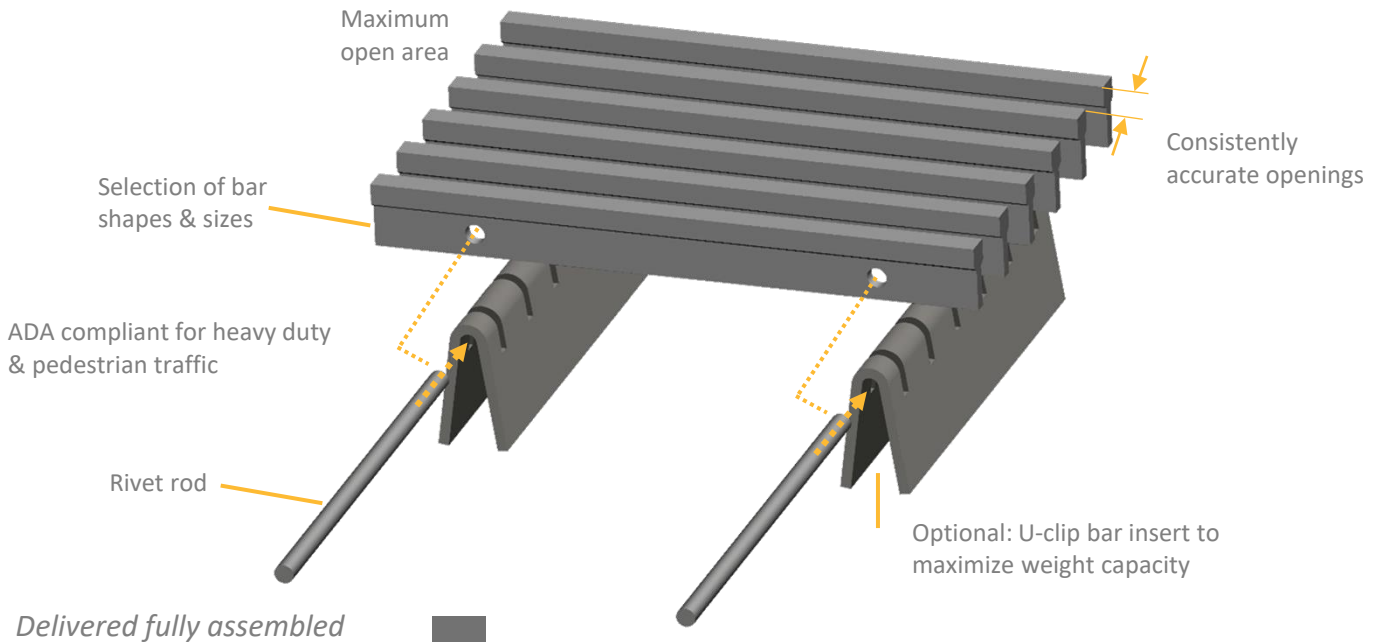



### Profile Bar Technical Sheet

Hendrick's *Profile Bar*\* is manufactured using a mechanically interlocked proprietary method of construction, making it one of the strongest systems available on the market. It's perfect for applications that require high strength or a very flat surface.



**Profile Bar**  
Images not to scale

	T16	B16	B12	B12S	T9M
<b>Bar Width</b>	.250"	.250"	.187"	.187"	.140"
<b>Assembly Depths</b> (recess depths)	1 ¼ (1 ⅜)	11/16 (13/16) 13/16 (15/16) 1 ⅛ (1 ¼)	11/16 (13/16) 13/16 (15/16) 1 ⅛ (1 ¼)	5/8 (¾) ¾ (⅞) 1 ⅛ (1 ¼)	7/8 (1) 1 ⅛ (1 ¼)
<b>Options</b>					
Anti-Slip Coating	✓	✓	✓	✓	
Carpet Inserts					✓

 \*Hendrick's proprietary high-strength, mechanically interlocked construction method.

## Profile Bar Entrance Grille with Anti-Slip Coating\*

Anti-Slip Coating Options:

- A. 1/2" wide coated bars with recommended 4" max spacing
- B. 1 1/4" wide coated bars with recommended 4" max spacing
- C. Coated on alternating profile bars

Option also available for 100% of grille's top surface

Profile Bar <small>Images not to scale</small>	T16	B16	B12	B12S
Bar Width	.250"	.187"	.187"	.187"
Assembly Depths <small>(recess depths)</small>	1 1/8" (1 1/8)	1 1/16" (1 1/16) 1 3/16" (1 3/16) 1 1/8" (1 1/8)	1 1/16" (1 1/16) 1 3/16" (1 3/16) 1 1/8" (1 1/8)	3/8" (3/8) 3/8" (3/8) 1 1/8" (1 1/8)



Coefficient of Friction = 0.8+

Suitable for level bed applications  
Additional inserts can be added for height requirements, spans or load

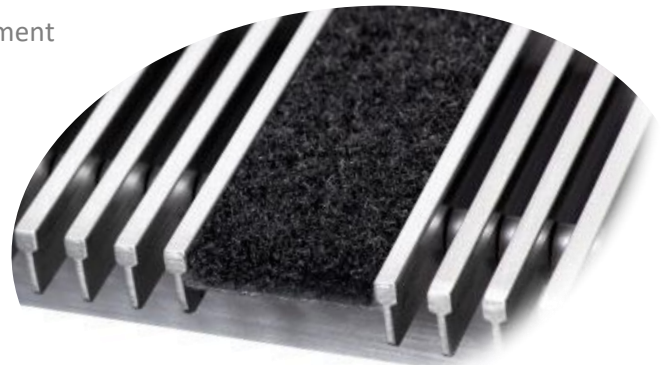
## Profile Bar Entrance Grille with Carpet Insert

Carpet Insert Width = 1 3/16"

Recommended 4" max spacing between inserts

Inserts designed to be slid into place for easy replacement

Profile Bar <small>Image not to scale</small>	T9M
Bar Width	.140"
Assembly Depths <small>(recess depths)</small>	3/8" (3/8) 1 1/8" (1 1/8)



Suitable for level bed applications

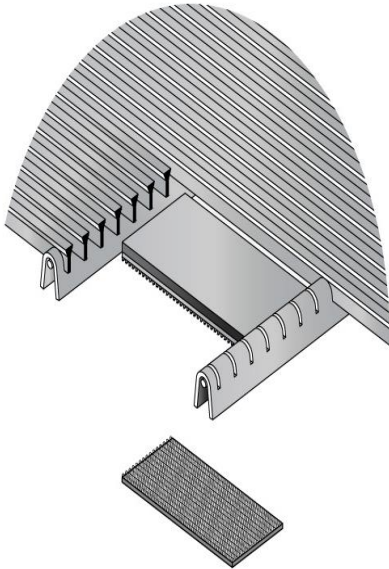
Stock Carpet Colors = black or gray. Additional colors available upon request.

\* U.S. Patent No: 9,750,364

## Profile Bar Mounting Options

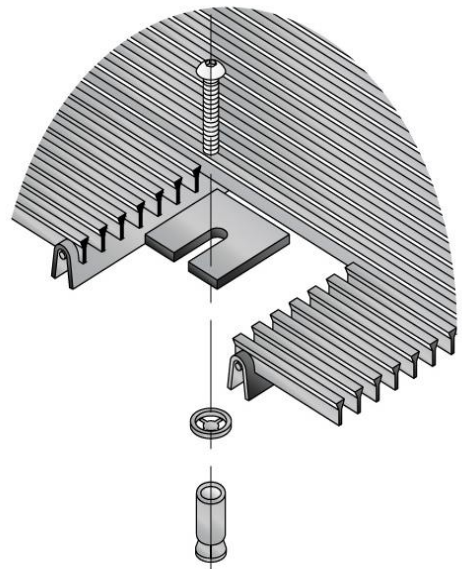
### *EZ Loc Mounting System*

- Recommended spacing between 24" - 36" on center
- Each mounting area includes welded plate between supports and (2) pcs. of EZ Loc



### *Hidden Mounting Tab System*

- Recommended spacing between 24" - 36" on center
- Each mounting area includes 10-24 screws, stainless washer and lead anchor



### *Surface Block Mounting System*

- Recommended spacing between 24" - 36" on center
- Each mounting area includes  $\frac{5}{16}$  machine screw and expansion shield

